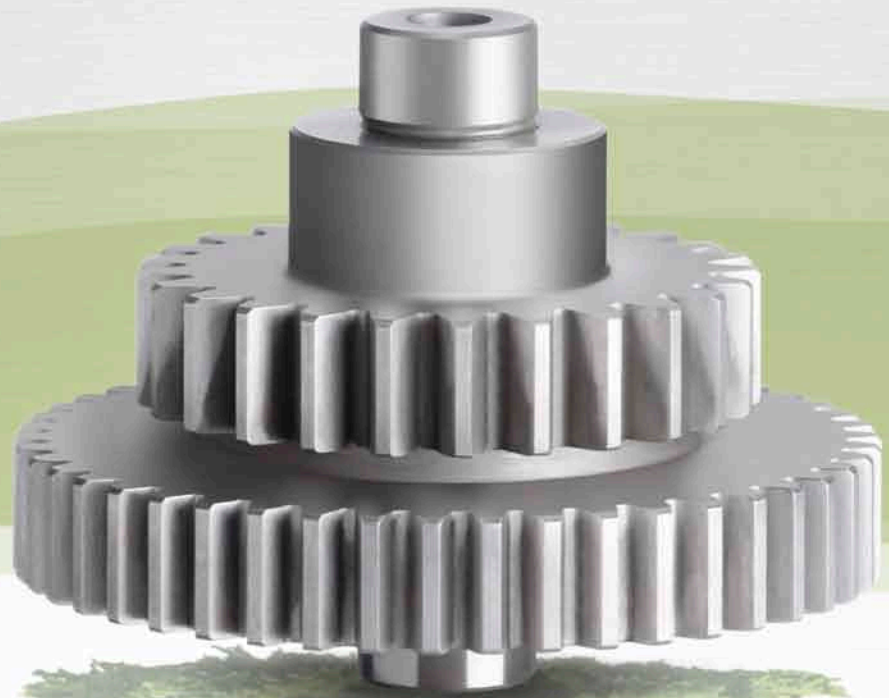


ODG

GEARS • TRANSMISSIONS • COUPLINGS



Environmentally Friendly
Quiet Gears and Transmissions

Technology • Reliability • Experience

Whether providing solutions for transmission assemblies or individual components, ODG offers a wealth of knowledge and experience at every level. ODG has the ability to design, develop, prototype and manufacture which results in a robust, cost-effective solution that meets our customers most demanding requirements.

Emphasis on Customer Satisfaction

- Investing in the latest gear manufacturing technologies
- Focusing on the design and manufacture of quiet gears
- Embracing a green corporate philosophy throughout our operations
- Going beyond just gears, ODG offers a complete one stop solution

A Proven Track Record of Success

- Manufacturing of gears and transmissions since 1962
- Current supplier to many large, high profile OEMs
- Reliable supply agreements which focus on quality and delivery
- ISO 9000 & ISO 14000 certified



In depth engineering and manufacturing review



3D modeling capabilities



Custom transmission assemblies

Environmentally Geared to Meet Your Needs

At ODG, we're continuously striving to enhance our products and services through environmentally favorable technology and improved processing methods. The results of our efforts have allowed us to offer our clients superior products that are extremely reliable, lighter, quieter and cost-effective.

Environmentally Friendly Processes

- Dry hobbing, eliminating the need for oil
- Returnable packaging
- Low energy lighting
- Recycling of waste materials from all processes and departments



Returnable packaging

Environmentally Friendly People

ODG encourages a corporate culture of honesty, respect and commitment in the pursuit of excellence.

Environmentally Friendly Products

- Hybrid vehicle gearing, CVT transmissions, wind and solar components



Quiet Gears and Transmissions



Hobbing, shaping, broaching, shaving and gear grinding



Gear grinding capable up to 300 mm, module 5, AGMA 14



State-of-the-art gear lab with analytical gear inspection

Superior Performance

At ODG, we pride ourselves in delivering the right product, on time, every time. Our many years of experience and our flexibility allow us to meet and exceed your expectations. Since 1962, we have been manufacturing quality precision gears and transmissions for the following industries:

Advanced Technological Development

Satellite, Medical Imaging, Low Noise Quiet Gears

Performance Technology

Construction, Agricultural, Automotive Powertrain, Material Handling

Green Technology

Hybrid Vehicles, Electric Vehicles, Wind & Solar

ODG is also recognized as a world leader in amphibious all-terrain vehicles and our transmissions are used in both ARGO and CENTAUR off-road utility vehicles

The most versatile
off-road vehicle
in the world



Output Drive Shaft
Construction Industry



Worm Gear Drive Set
Agricultural Equipment



Internal Steering Gear
Material Handling Equipment



Transmission Gear Set
Material Handling Equipment



Transmission Output Gear
Forestry Equipment



Planetary Hub
All Terrain Vehicle



Ground Helical Gear
Hybrid Bus



Pump Drive Gear Box
Construction Industry

ODG

GEARS • TRANSMISSIONS • COUPLINGS
WORLD LEADER IN AMPHIBIOUS VEHICLES

Ontario Drive & Gear Limited

3551 Bleams Rd.
New Hamburg, Ontario N3A 2J1
Tel: 877.662.2840
Fax: 519.662.2127
E-mail: gears@odg.com

www.odg.com

Proud to be located in

